

F U N C T I O N A L D E S C R I P T I O N

ELECTRIC TEMPERATURE CONTROL VALVE

SAFE AND RELIABLE PROTECTION DEVICES

SAFE/RELIABLE/CORRISION RESISTANT/THERMAL PROTECTION





THE INTEGRATED INTELLIGENT ACTUATOR

The integrated intelligent actuator drives the valve opening through the corresponding electrical signal generated by the sensor, which has the characteristic of safe, thermal protection, water proof and corrosion resistant.

PRECISION SMALL ELECTRIC ACTUATOR



INTELLIGENT REGULATION TYPE ELECTRIC ACTUATOR

The 3810L series of electronic actuators take 220V ac single-phase power supply as the driving power supply, which receives control signal from regulator, it is a new actuator for predetermined linear reciprocating motion.



PRODUCT INFORMATION



PRODUCT NAME: ELECTRIC TEMPERATURE CONTROL VALVE

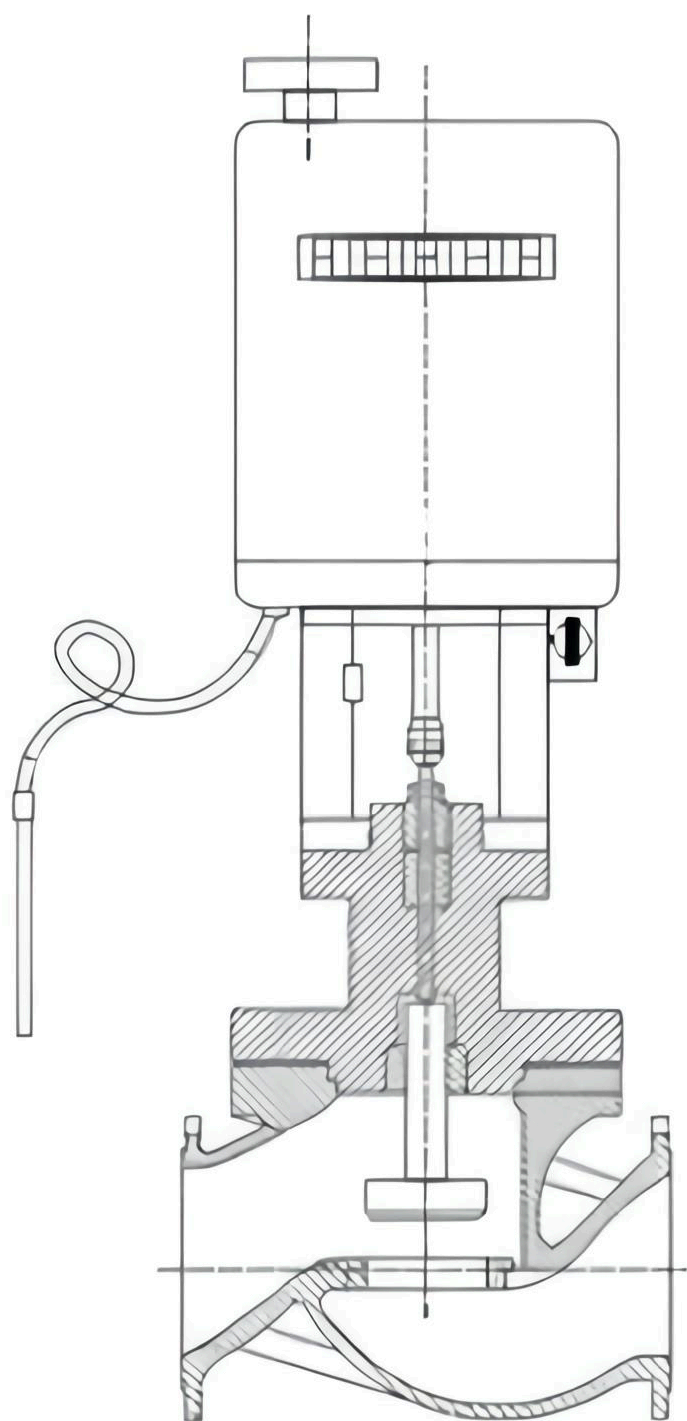
NOMINAL PRESSURE: ZZWPE-16CPN16

MEDIUM TEMPERATURE: $\leq 250^{\circ}\text{C}, 350^{\circ}\text{C}$ (CUSTOMIZED)

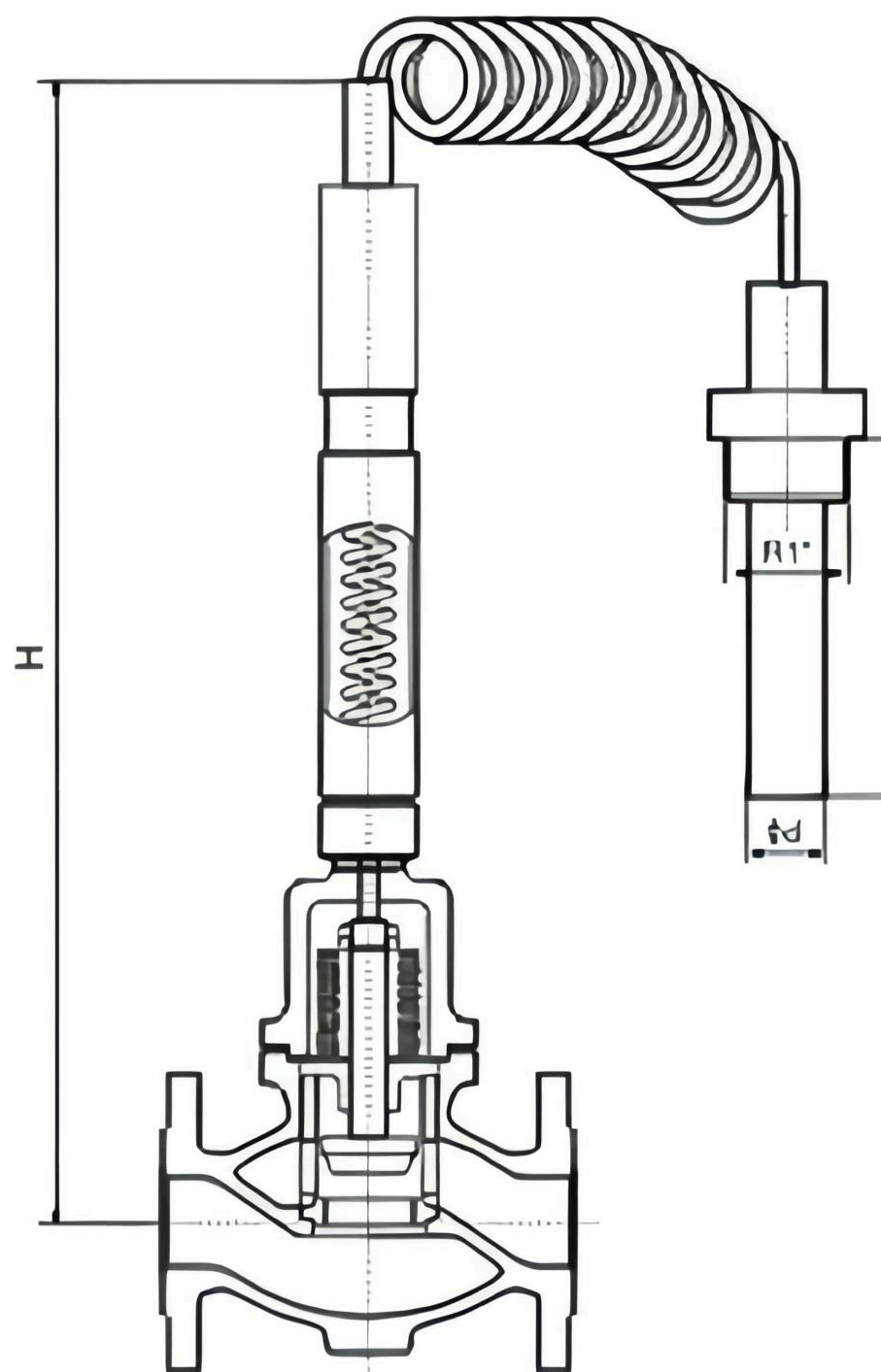
FLOW CHARACTERISTICS: EQUAL PERCENTAGE

APPLICABLE MEDIA: WATER, STEAM, OIL, ETC.

PRODUCT PARAMETERS



图一



图二



DN	Hmm	Kg	Size ΦdXL1		Link size	Weight (kg)
			D06	D17		
15	502	130				9.7
20	502	150				10.2
25	528	160				13.2
32	528	180				16.5
	530	200	Φ24	Φ30	R1"	17.5
50	530	230	X 380	X 580		20.5
65	565	290				32.5
80	565	310				36.5
100	670	350				63.5
125	670	400				73.5

INSTALLATION INSTRUCTIONS

- (1) The pipeline should be strictly cleaned of debris, otherwise the valve would be damaged.
- (2) Temperature control valve should be installed vertically on the horizontal



APPLICATIONS

Petroleum, chemical industry, metallurgy, light industry
papermaking, power station, refrigeration and other fields



Wastewater Treatment



Tap water plant



Factory



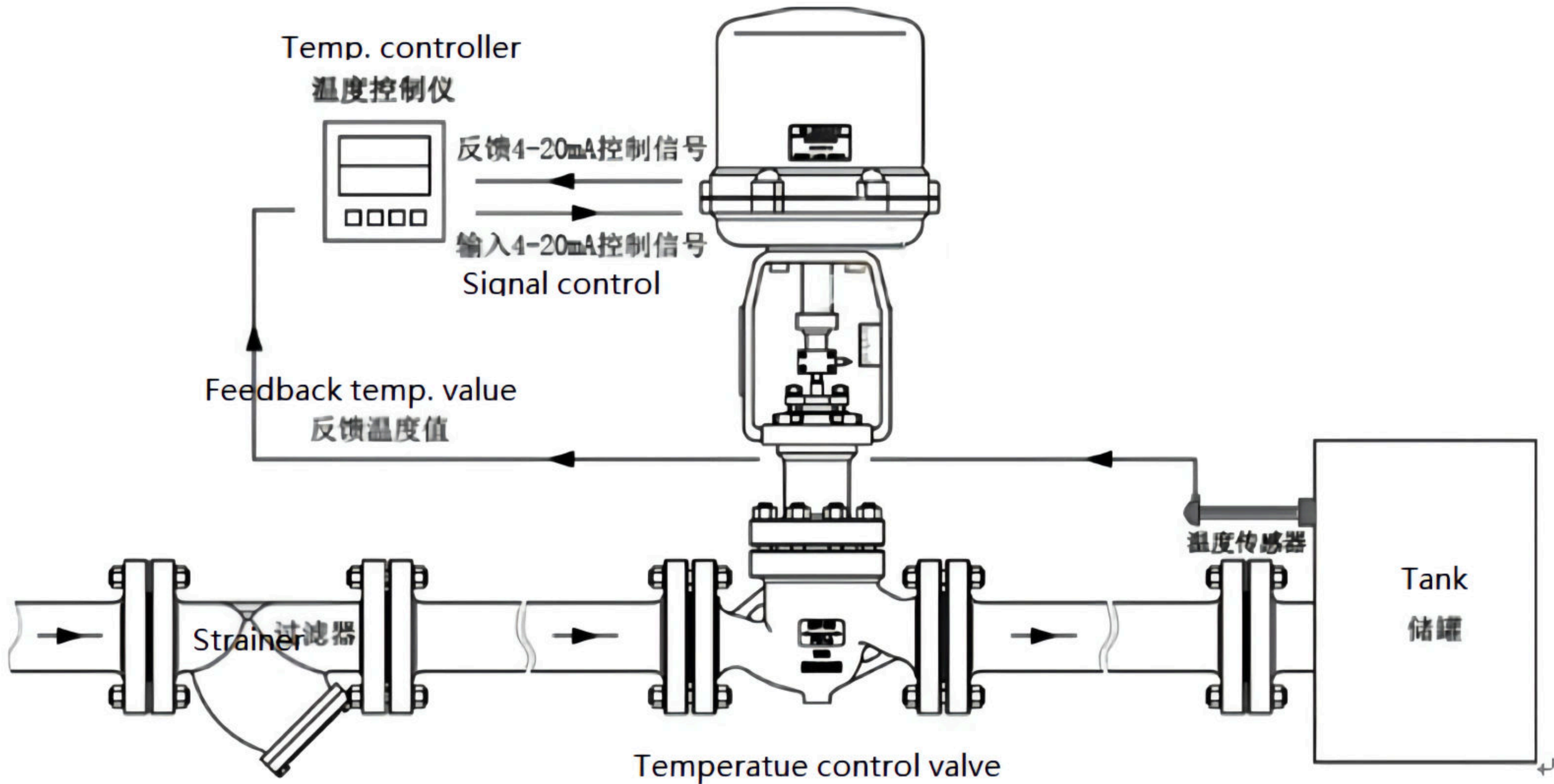
Petrochemical plants



Oil pipeline system



Power Industry



PRECISION MILLING AND TURNING

Densely processed water line







PRODUCT SHOW

