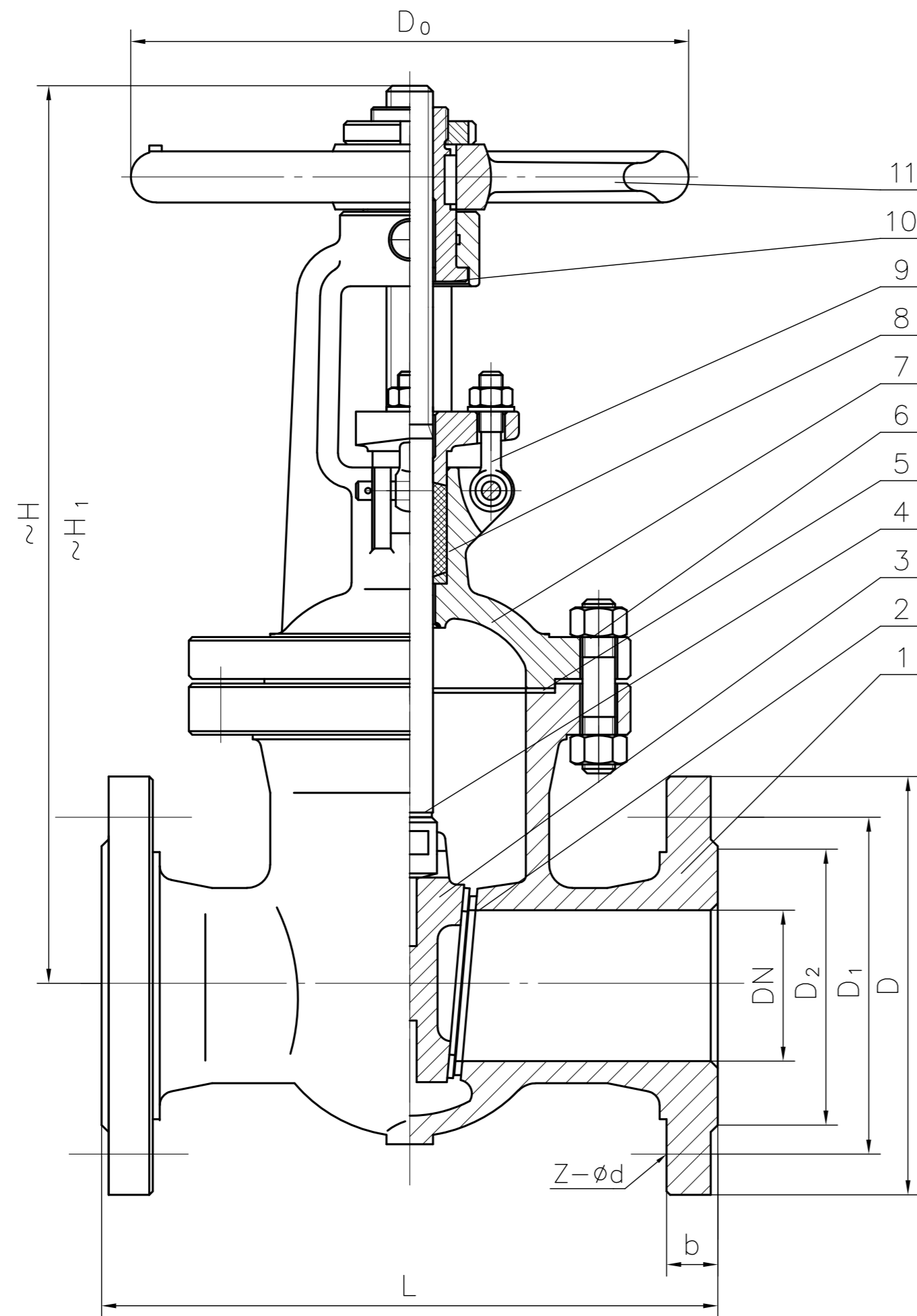


REVISIONS				
ZONE	REV	DESCRIPTION	DATE	APPROVED



Technical Requirements:

Design & Manufacturing: GB/T12224-2005
 Other Demand: GB/T12234-2005
 Pressure Test: GB/T13927-1992
 Valve Test: JB/T9092-1999
 Connection Dimensions: JB/T79.2-94(2)
 Structure Dimensions: GB/T12221-2005

NO.	Name	Material	Note
11	Handwheel	QT400-17	
10	Stem Nut	ZQAi9-4	
9	Eye Bolts	H7	
8	Packing Gland--flexible Graphite	Flexible Graphite	
7	Bonnet	316	
6	Double End Bolt	5.8	
5	Gasket	316 +Graphite	
4	Stem	A182 316	
3	Wedge	316	
2	Clack Seat	316	
1	Body	316	

200	400	360	310	278	3	34	12-ø25	785	400
DN	L	D	D1	D2	f	b	z-ød	H	D ₀

TOLERANCE
UNLESS OTHERWISE SPECIFIED
 DECIMALS: .0 ± .1
 .00 ± .01
 .000 ± .005
 ANGLES: MACH. ±1°00'
 FORMED ±2°
 FRACTIONS: ± 1/16"

科威納 COVNA® VALVE COVNA GROUP CO.,LTD

TITLE
DN200 WEDGE GATE VALVE FLANGED 2.5MPA

APPROVED BY

BOND

CHECKED BY

JULIA

DRAWING BY

C L

FSCM:

DWG NO.

REV

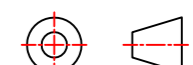
A

SIZE **mm**

SCALE

1:1

SHEET



SHEET 1 OF 1