

Characteristic: 1. Pilot operated piston construction with low power consumption

- 2. Seal serves longtime at steam ambient
- 3. Used for long-time working in pipeline system

Medium: Steam, Hot Water, Oil, etc.

Temperature: PTFE Seal: -10°C to 180°C
VITON Seal: -5°C to 120°C

Pressure: US: 0.03Mpa~1.6Mpa NC

Port Size: 1/2", 3/4", 1", 1 1/4", 1 1/2", 2"

Port Thread: G, BSP, NPT

Orifice(mm): 12, 15, 20, 25, 32, 40, 50

Voltage: DC-12V, 24V, 36V

AC-24V, 120V, 240V/60Hz; 110V, 220V/50Hz

Tolerance: ±10%

Coils: Y32B, 40VA(AC), 18W(DC), Ip65, 100%ED
Y42B, 50VA(AC), 20W(DC), Ip65, 100%ED

Material: Body - Brass or stainless steel

Seal - PET

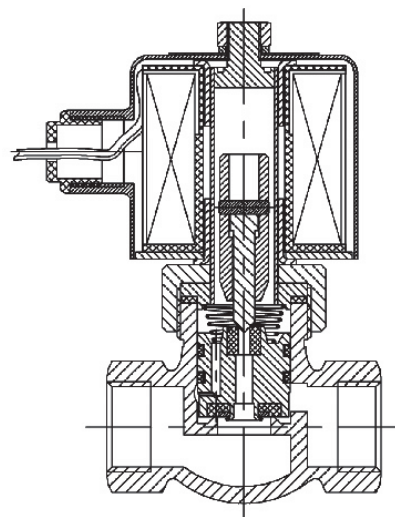
Armature Tube - Stainless Steel304

Plunger - Stainless Steel 430F

Stop - SS 403F

Springs - SS 304

Shading Rings - Stainless Steel 304



Coils Parameters

Model	Picture	Voltage	Motor Power	Protection Class	Available For	Outline Size Drawing
Y32B		1.AC220V 2.AC110V 3.AC24V 1.DC24V 2.DC12V 3.DC6V <i>Special Voltage Can Be Customized</i>	40VA 18W	IP65	DN10 DN15 DN20 DN25	
Y42B		1.AC220V 2.AC110V 3.AC24V 1.DC24V 2.DC12V 3.DC6V <i>Special Voltage Can Be Customized</i>	50VA 20W	IP65	DN32 DN40 DN50	

Determine Valve Body Code

Type	Orifice mm	Port thread	Body	Seal	Coils	Voltage
US	15, 20, 25, 32, 40, 50	G - G/BSP N - NPT thread	B - Brass S - stainless steel	PTFE VITON	Y32B Y42B	1.AC220V 2.DC24V 3.AC110V 4.DC12V 5.AC24V 6.DC6V

EXAMPLE: US 15 GBN Y41H1, US SERIES, NC, 15MM ORIFICE, 1/2"G, BRASS BODY, PTFE SEAL, COIL Y42H, AC220V, DIN

Technical Parameters

Size	Port Size	Orifice mm	Cv	Min Pressure	Max Pressure	Operating Temperature	Weight
DN15	1/2"	15	4.5	0.03MPa	1.6MPa	PTFE -10°C~180°C	
DN20	3/4"	20	9.3	0.03MPa	1.6MPa		
DN25	1"	25	12	0.03MPa	1.6MPa		
DN32	1-1/4"	32	24	0.03MPa	1.6MPa	VITON -5°C~120°C	
DN40	1-1/2"	40	29	0.03MPa	1.6MPa		
DN50	2"	50	48	0.03MPa	1.6MPa		

Outline Size Drawing

阀体	A	B	C	D
DN15	82	52	146	23
DN20	82	50	146	23
DN25	91	55	162	29
DN32	111	75	185	37
DN40	111	75	190	37
DN50	163	95	223	50

