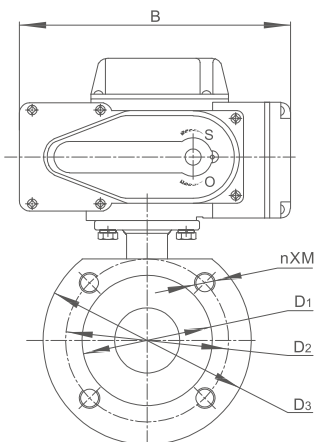
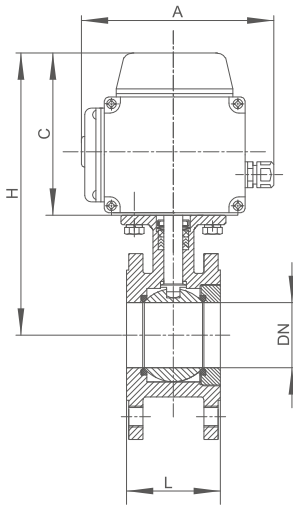


Wafer type flanged Ultra thin Italian ball valve



The type of valve	Power	End connection	Structure shape	Valve seat	Nominal pressure (MPa)	Valve body
Valve Ball	9-electromotomation	Wafer	two way with floating ball	F-PTFE H-Alloy steel PPL	1.6 2.5 4.0 6.4	as below material code
Nominal diameter DN(mm)		15-200				
Materials/code name		C	P	R		
Main Parts	Valve Body	WCB	ZG1Cr18Ni9Ti	ZG0Cr18Ni12Mo2Ti		
	Valve Disc	2Cr13	ZG1Cr18Ni9Ti	ZG0Cr18Ni12Mo2Ti		
	Valve Stem	2Cr13	1Cr18Ni9Ti	0Cr18Ni12Mo2Ti		
	O-ring	PTFE, Alloy steel				
	Packing	PTFE, flexible graphite				
Applicable Operating Condition	Applicable medium	Water, steam, oils	nitrose	acetic acid		
	Suitable temperature	-28°C~300°C				
Control method		On-off type/Modulating type				
Action type		ON-OFF/Modulating type				
Electric actuator	Item	HL series				
	Power supply	DC24V、AC24V、AC110V、AC220V、AC380V				

Product description

Wafer flanged Ultra-thin ball valve with short length, light weight, easy installation, saving material and other significant advantages. In addition, the valve seat with elastic seal structure, reliable seal, open and close easily. With a fire-resistant structure, in case of fire, can still operate reliably and have good sealing. According to user needs, can be equipped with anti-static structure. The 90 ° positioning plate with hole be set according to customer's needs with lock to prevent mistakes.

Application

Wafer flanged Ultra-thin ball valve is suitable for the pipe of Class150, PN1.0 ~ 2.5MPa, operating temperature 29 ~ 180 °C (PPL valve seat) or 29 ~ 300 °C (valve seat PPL), used to disconnect or connect the medium inside of the pipeline, different materials chosen can be applied to water, steam, oil, nitric acid, acetic acid, oxidizing media, urea and other medium.

Appearance size of wafer type flanged Ultra thin Italian ball valve

SIZE	Item	Nominal pressure	A	B	C	H	L	D ₁	D ₂	D ₃	nXM
DN20	COVNA-05	1.6MPa	137	160	103	162	38	55	75	105	4XM12
DN25	COVNA-05		137	160	103	167	42	65	85	115	4XM12
DN32	COVNA-05		137	160	103	180	50	78	100	135	4XM16
DN40	COVNA-05		137	160	103	187	62	85	110	145	4XM16
DN50	COVNA-10		145	208	124	216	72	100	125	160	4XM16
DN65	COVNA-10		170	258	148	248	95	120	145	180	4XM16
DN80	COVNA-16		170	258	148	267	118	135	160	195	8XM16
DN100			170	258	148	280	140	155	180	215	8XM16
DN125			148	258	148	305	195	185	210	245	8XM16
			184	280	159	316	195	185	210	245	8XM16
DN150			148	208	159	375	225	210	240	280	8XM20

Note: Above table size is not with standard parts, there may be some changes in the data due to product innovation and improved technology, the specific details please consult salesman.