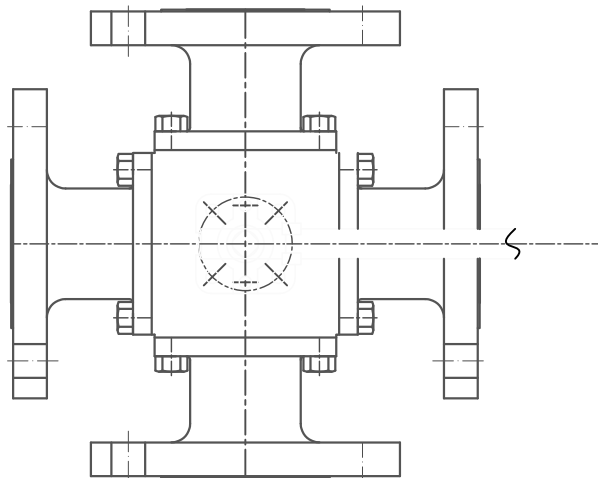
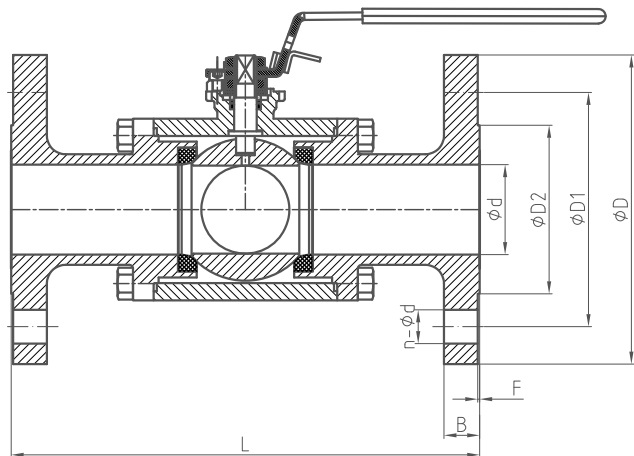


8 7 6 5 4 3 2 1

REVISIONS				
ZONE	REV	DESCRIPTION	DATE	APPROVED



Performance Specification		
Nominal Pressure	150LB	MPa
Shell test	3.0	
Seal test	2.2	
Gas test	0.6	
Working Temperature	-29~150	°C
Medium: water oil & gas		

Technical Specification

1. Design and manufacture to API 608;
2. Face-to-face to ASME B16.10;
3. Flange Ends Connection to ASME B16.5;
4. Inspection and test:API 598.

规格型号	尺寸	L	d	D2	D1	D	B	F	n-d
DN15		160	15	35	60.5	89	9.6	1.6	4-16
DN20		170	20	43	70	98	11.2	1.6	4-16
DN25		185	25	51	79.5	108	12.7	1.6	4-16
DN32		200	32	64	89	117	14.3	1.6	4-16
DN40		230	40	73	98.5	127	15.9	1.6	4-16
DN50		260	50	92	120.5	152	17.5	1.6	4-19
DN65		280	65	105	139.5	178	20.7	1.6	4-19
DN80		320	80	127	152.5	190	22.3	1.6	4-19
DN100		360	100	157	190.5	229	22.3	1.6	8-19
DN125		430	125	186	216	254	22.3	1.6	8-22
DN150		510	150	216	241.5	279	22.3	1.6	8-22
DN200		550	200	270	298.5	343	23.9	1.6	8-22
DN250		670	250	324	362	406	27	1.6	12-25

TOLERANCE
UNLESS OTHERWISE SPECIFIED
DECIMALS: .0 ± .1
.00 ± .01
.000 ± .005
ANGLES: MACH. ±1'00"
FORMED ±2"
FRACTIONS: ± 1/16"

科威纳 COVNA VALVE COVNA GROUP CO.,LTD

TITLE
ANSI 150# 4WAY FLANGE BALL VALVE

APPROVED BY
BOND

FSCM: DWG NO. REV
A

CHECKED BY
JULIA

DRAWING BY
C L

SIZE mm SCALE 1:1 SHEET 1 OF 1

8 7 6 5 4 3 2 1